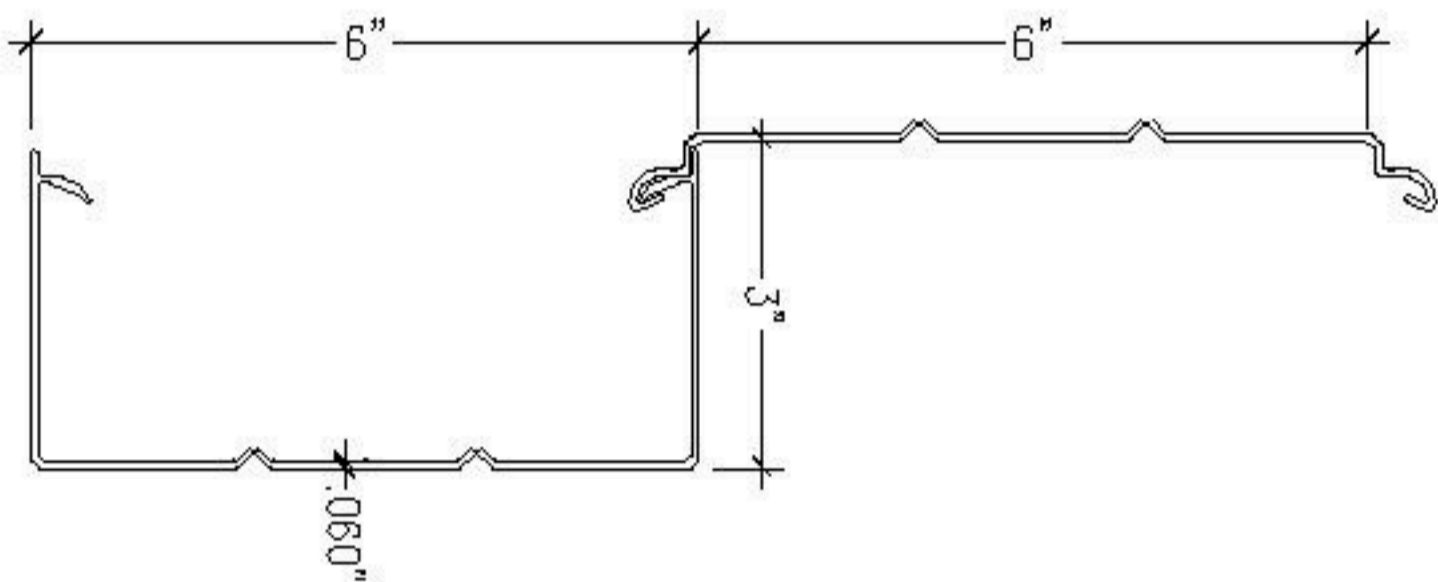
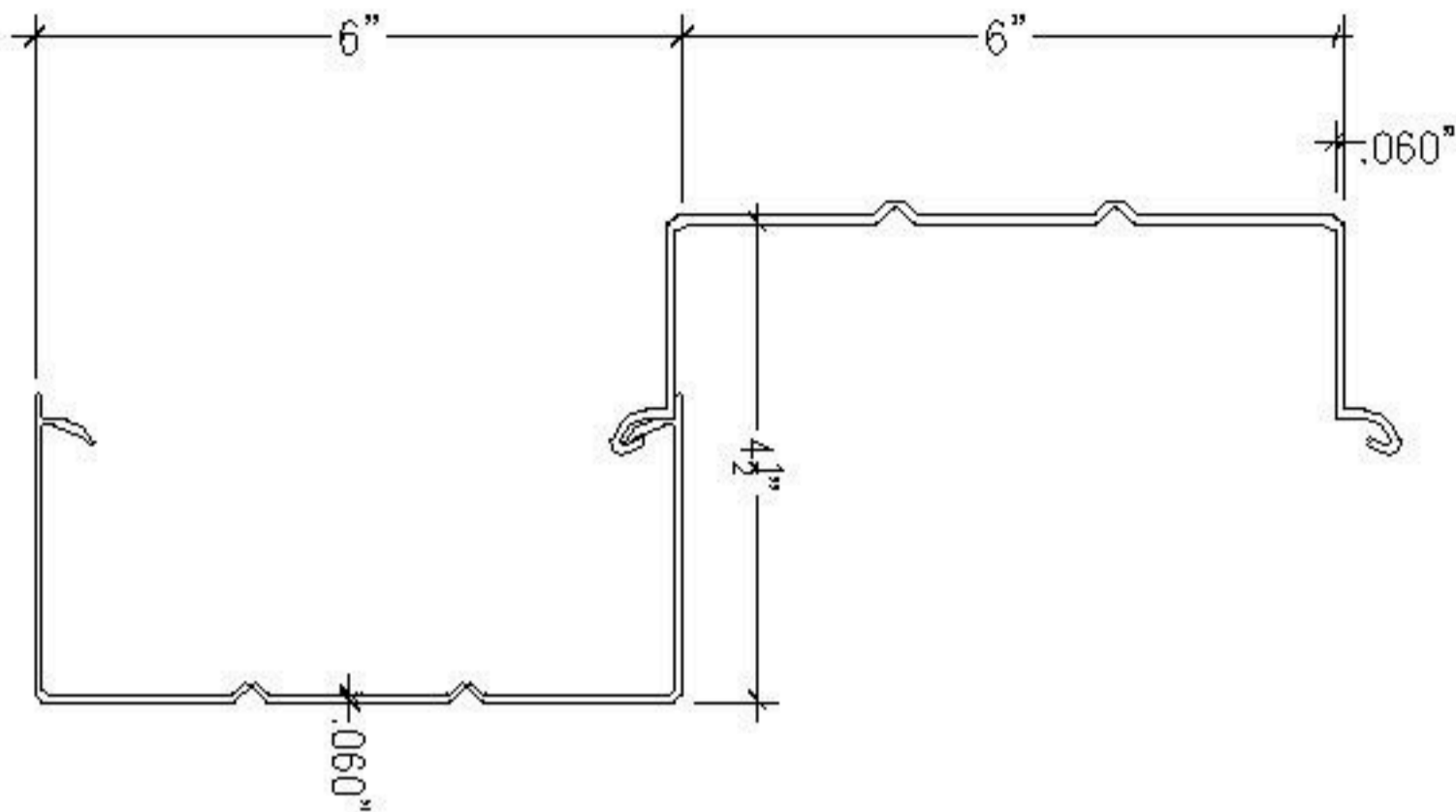


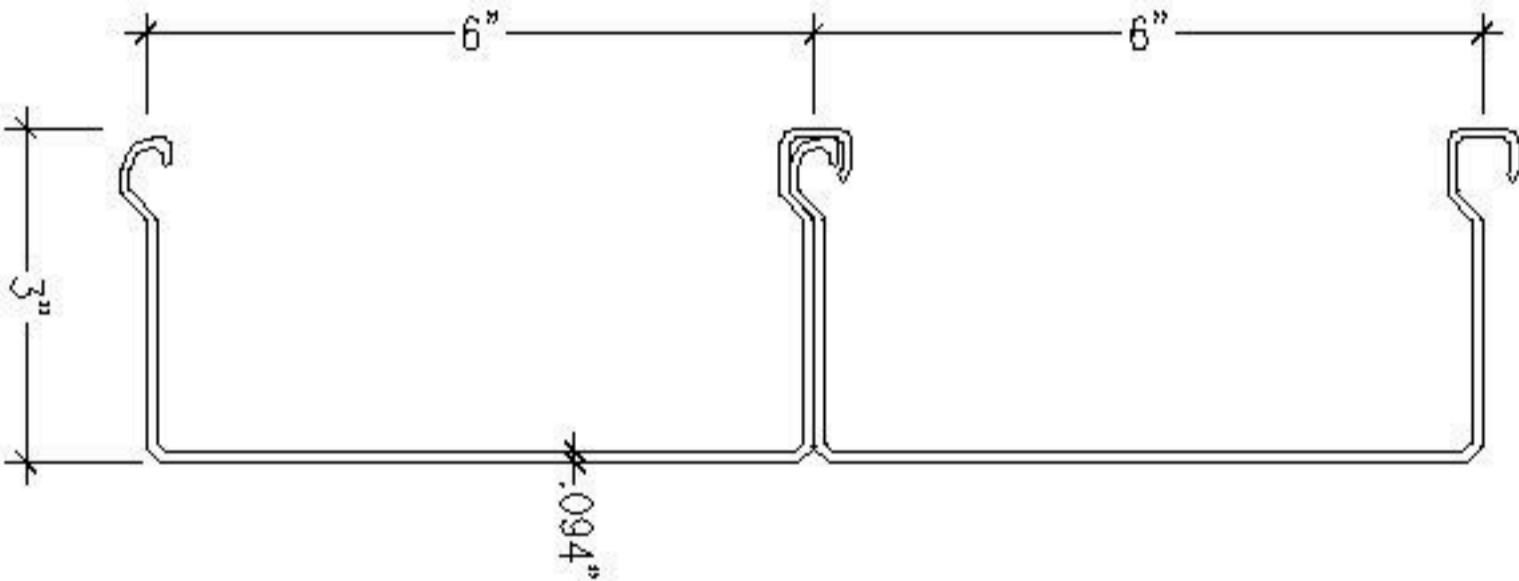
EXTRUDED ROOF PANS



3" CAP AND PAN



4 1/2" CAP AND PAN



6" FLAT PAN